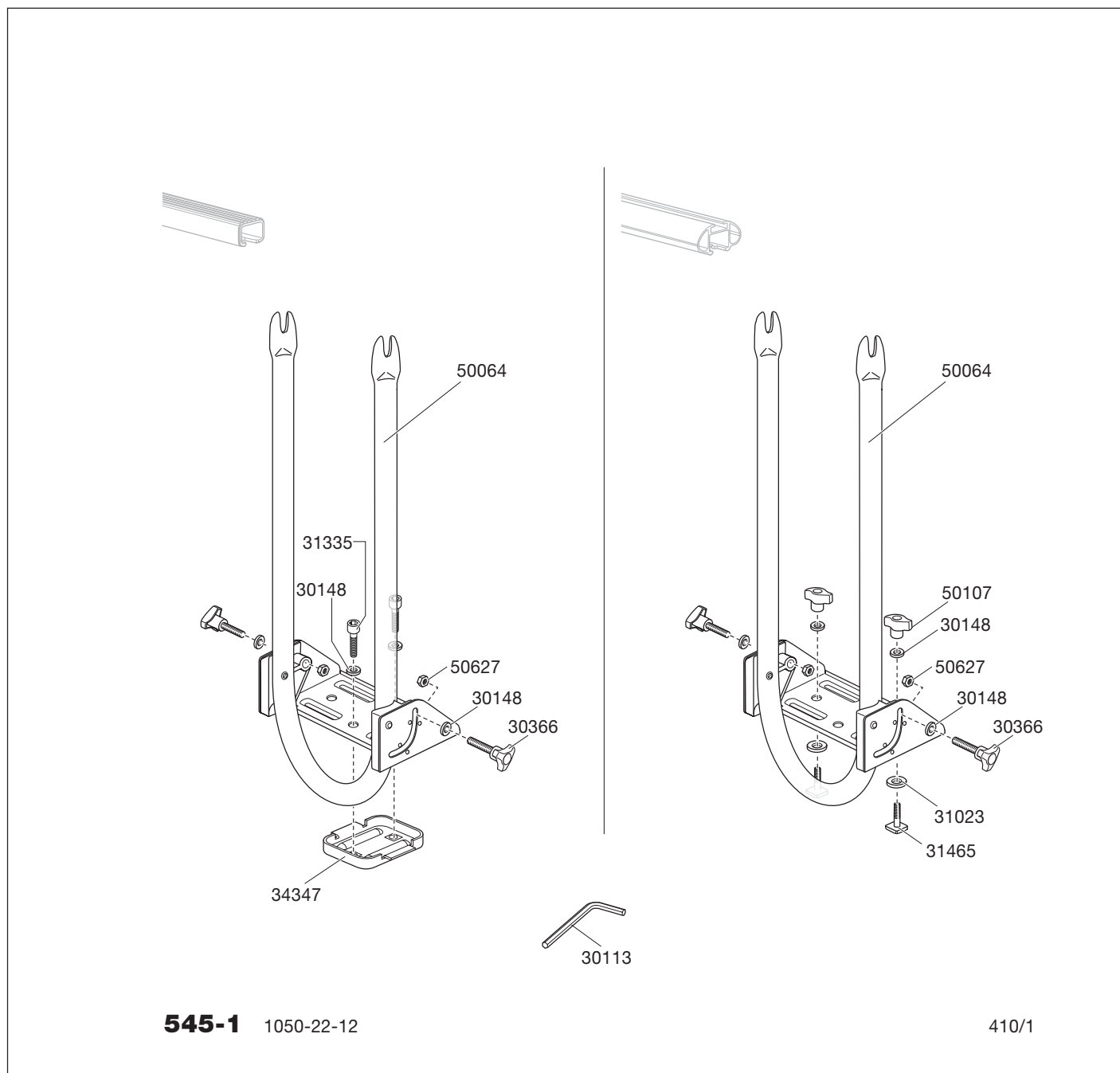


Wheel holder 545-1



Individual box

Carton

Product	EAN	Kg	L/W/H in cm
545-1	7313025022128	1,2	44/15/7

Product	Qty/kg	L/W/H in cm
545-1	10/14	49/38/32