

Ski holder 562

562/1050-03-1

5 *års garanti*
years warranty
Jahre Garantie
ans de garantie

Components:

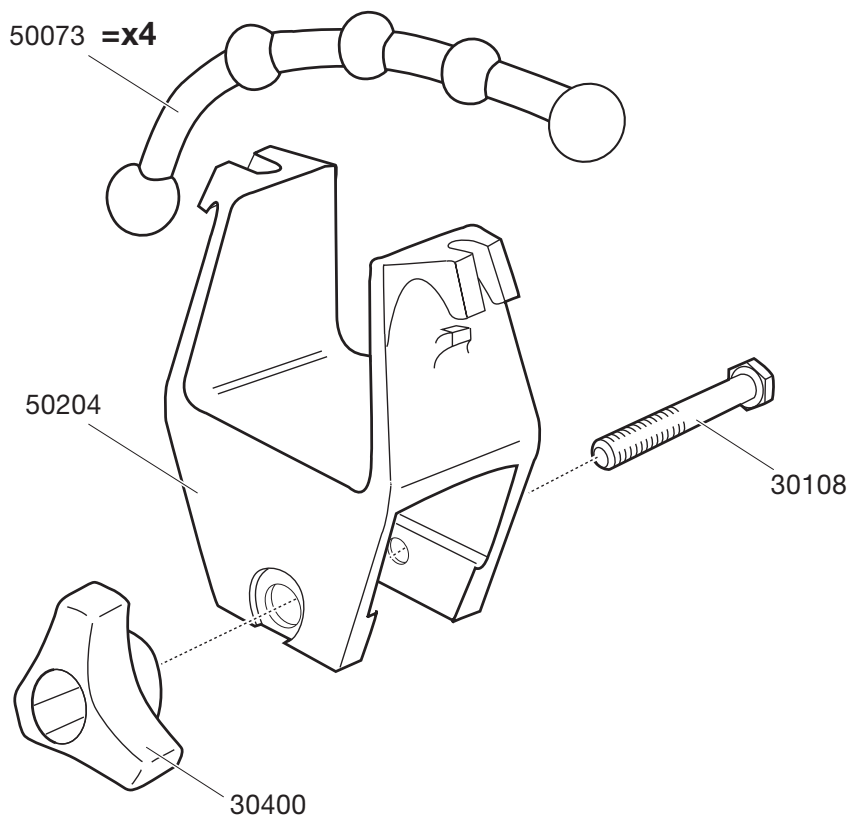
4 holders (two pairs, front and rear). Complete with straps and fastenings.

Materials:

Holders in black polyethylene .
 Straps in EPDM rubber,
 L = 1250 mm.

Function:

Straightforward ski holders for all types of ski. The skis should be placed in the holders and then fastened in position with the straps.



- Straightforward, value-for-money holders for transporting two pairs of skis.
- Extremely compact.
- Simple to fit.

562 1050-03-1

446/3

Individual box

Carton

Product	EAN	Kg	L/W/H in cm
562	7313020005621	0,3	25/15/8

Product	Qty/kg	L/W/H in cm
562	20/6	45/25/36