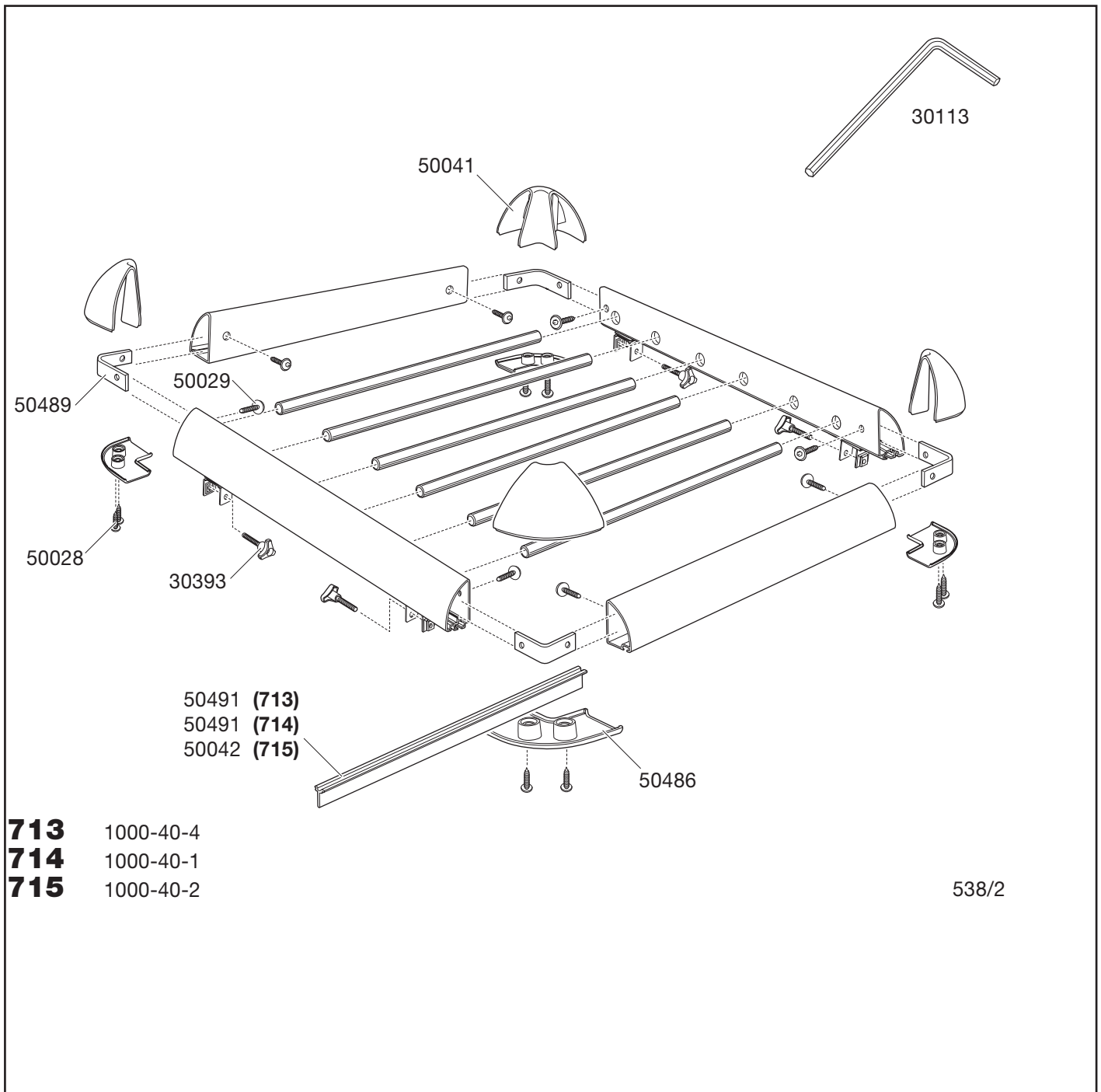


# THULE Xplorer 713, 714, 715



## Individual packs

## Pallet

Product	EAN	Kg	L/W/H in cm
<b>713</b>	7313020001487	8,4	138,5/19,3/10,4
<b>714</b>	7313021004012	6,5	104,0/19,3/10,4
<b>715</b>	7313021004029	9,7	138,5/19,3/11,0

Product	Qty/kg	L/W/H in cm
<b>713</b>	32/284	152/80/103
<b>714</b>	36/245	120/80/108
<b>715</b>	32/325	152/80/103